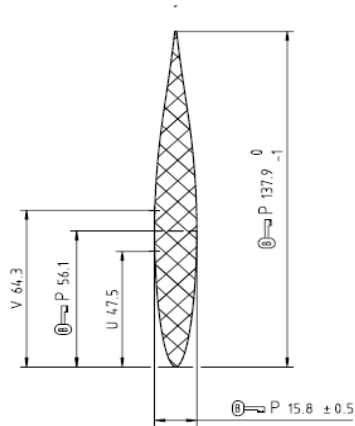
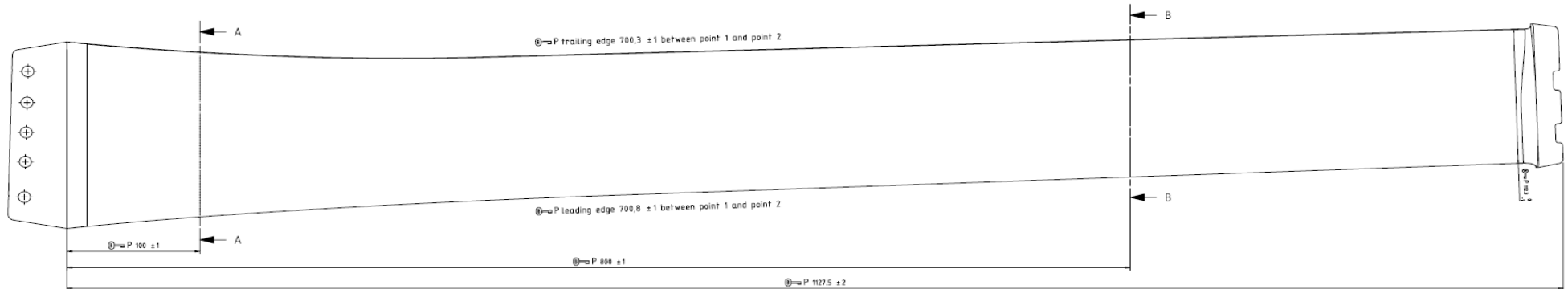
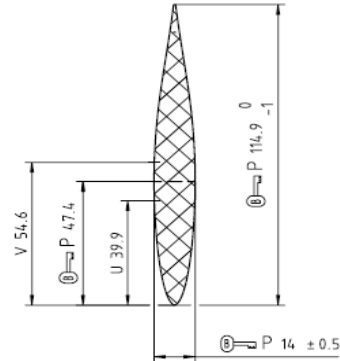


Brand: Levitaz
Model: Mast R5V2
Year: 2020

Schnitt / Section A-A



Schnitt / Section B-B



Measurement Date
Order Number
Worker
Serial No.
Mold Number
Status

Registered IKA Tolerance IKA Min IKA Max

Weight Mast [g]	1800 +/- 5 %	1710	1890
Mast m (max length) in mm	1127,5 +/- 2,0 mm	1125,5	1129,5
Mast n (min width) in mm	112,3 - 1,0 mm	111,3	112,3
Mast a (LE length) in mm	700,8 +/- 0,5 mm	700,3	701,3
Mast b (TE length) in mm	700,3 +/- 1,0 mm	699,3	701,3
Mast c (chord A-A) in mm	137,9 - 1,0 mm	136,9	137,9
Mast d (max profile A-A) in mm	15,8 +/- 0,5 mm	15,3	16,3
Mast e (profile depth A-A) in mm	56,1 +/-	54,3	58,2
Mast f (chord B-B) in mm	114,9 - 1,0 mm	113,9	114,9
Mast g (max profile B-B) in mm	14 +/- 0,5 mm	13,5	14,5
Mast h (profile depth B-B)	47,4 +/-	46,7	50,3